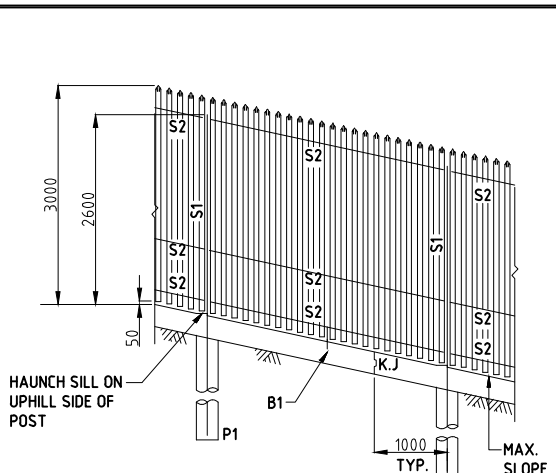
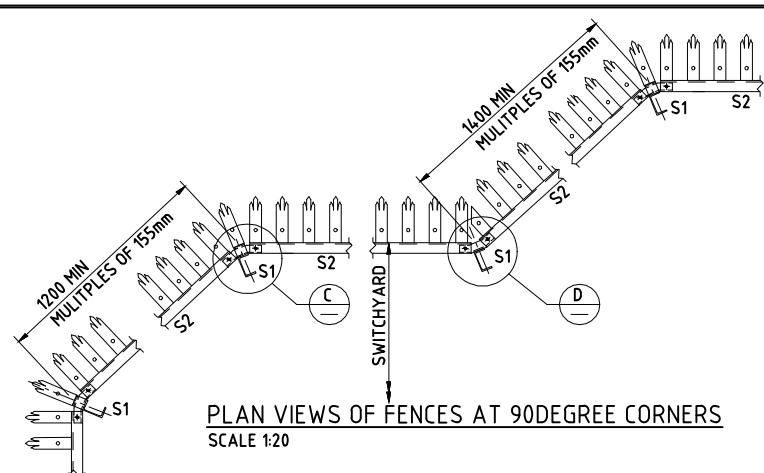


TYPICAL FENCE ELEVATION (ON LEVEL GROUND)  
SCALE 1:50

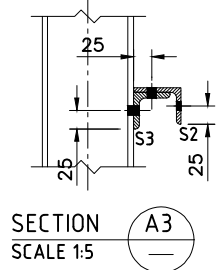
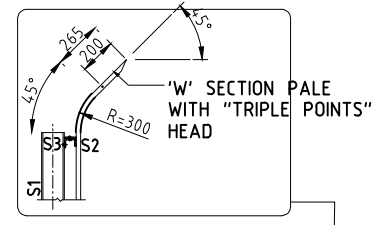


TYPICAL SLOPED FENCE ELEVATION  
SCALE 1:50



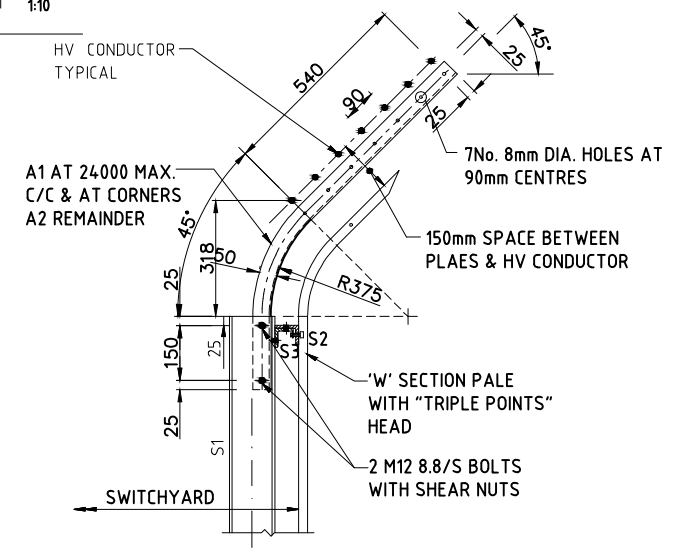
PLAN VIEWS OF FENCES AT 90 DEGREE CORNERS  
SCALE 1:20

MEMBER	SIZE
S2	65x50x6mm UA
S3	50x50x8mm EA
S4	65x35x4mm RHS
S5	150x150x9mm SHS
S6	100x100x4mm SHS
S7	75x75x4mm SHS
S8	75x50x4mm RHS
S9	125x125x6mm SHS
A1	125x125x8mm EA

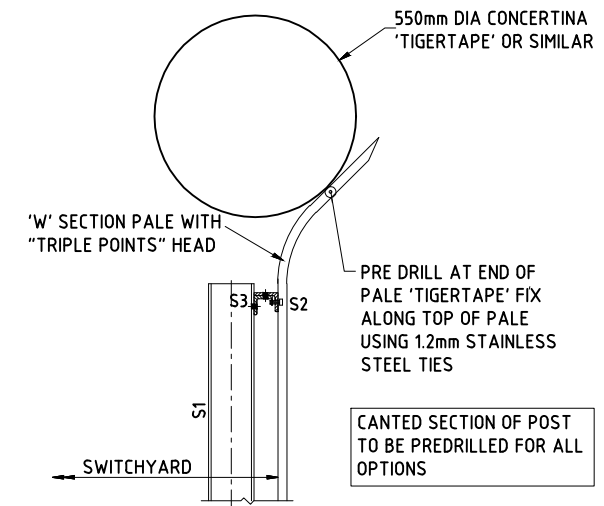


SECTION A3  
SCALE 1:5

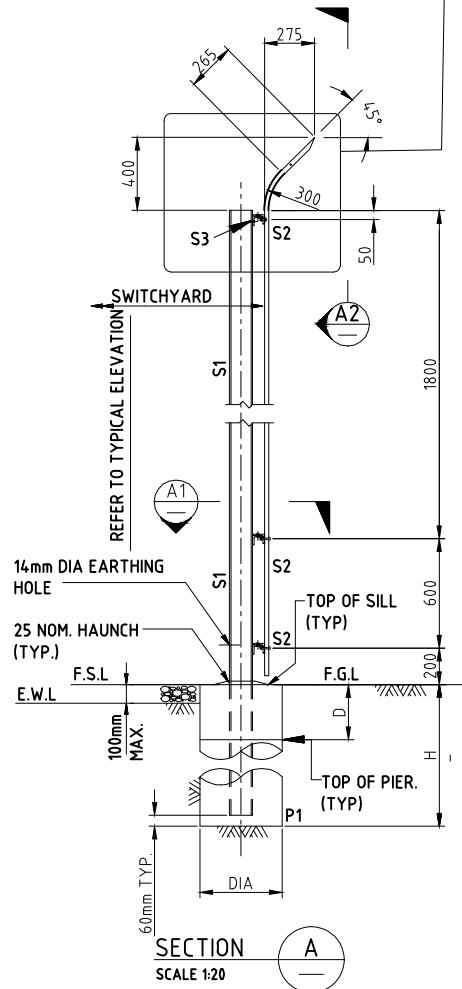
SOIL TYPE AND (ALLOWABLE BEARING PRESSURE)	PIER P1		SILL
	DEPTH OF PIER 'H'	PIER 'DIA.'	DEPTH OF SILL 'D' REINFORCEMENT
NATURAL GROUND OR ENGINEERED FILL (100 kPa)	1700	450	300
ROCK (600 kPa)	1000	450	150



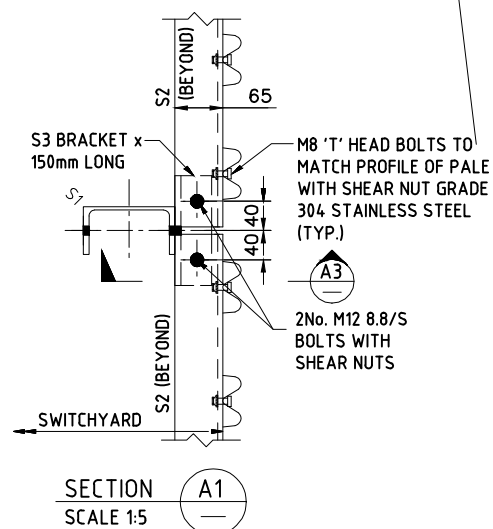
OPTION 1 - HV PULSED ELECTRIC TOPPING  
SCALE 1:10



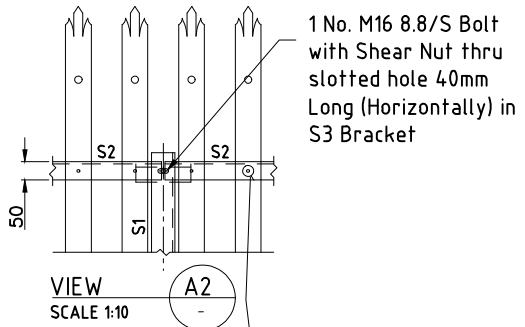
OPTION 2 - CONCERTINA 'TIGERTAPE' OR SIMILAR TOPPING  
SCALE 1:10



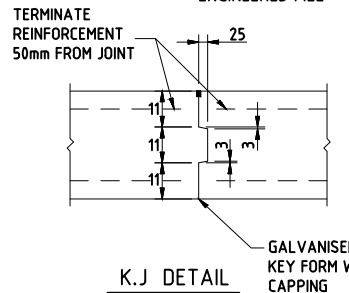
SECTION A  
SCALE 1:20



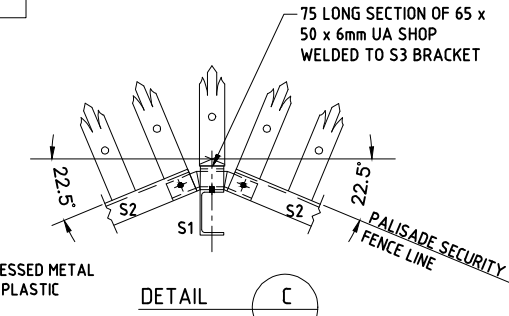
SECTION A1  
SCALE 1:5



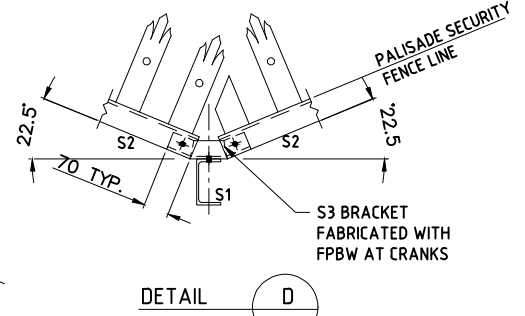
VIEW A2  
SCALE 1:10



K.J DETAIL  
SCALE 1:10



DETAIL C  
SCALE 1:10




DETAIL D  
SCALE 1:10

- NOTES:
- ALL STEELWORK HOT DIPPED GALVANISED
  - BOLTS & NUTS HOT DIPPED GALVANISED
  - NUTS SECURED AGAINST LOOSENING BY USE OF CAPILLARY 'LOCK TIGHT' APPLIED AFTER SHEARING NUTS

Notes

Notes

**COLEMANS GROUP**  
AUSTRALIA PTY LTD  
403 ELIZABETH STREET, SURRY HILLS NSW 2010  
PHONE: (02) 9280 0615 FAX: (02) 9281 2538



Revision	Description	Date
INITIALS	-----	DATE

CLIENT  
WAGGA WAGGA,  
COPLAND STREET  
SUB STATION  
WW - 001A

Drawn	DOH	02/05/2011
Reviewed	MC	
Approved	MC	
Scale	AS SHOWN	
Status	WAITING FOR APPROVAL	

APPROVED AS  
DESIGNED  
*This drawing and the information contained thereon have been created solely for a particular purpose and client. This is protected by copyright.*

TITLE	FENCE POSTS AND FOOTING DETAILS	
A1	SHEET 2 OF 2	Rev 1